

INSTRUCTIONS FOR USE



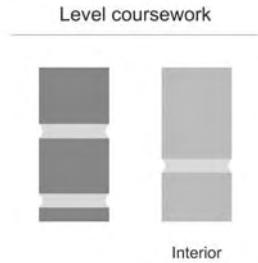
These instructions are applicable to the 3-sided cavity closer system.
The 3 sided cavity closer has a timber brace which is removed after building in and prior to window installation.
Ensure you have the correct cavity closer for the opening.

Ref SS MFD 250 01 April 07

For further advice contact:
Tel: 08700 920 019

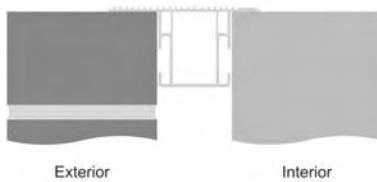
1. Closure Location

- 1.1. The coursework should be built to the level of the cill ensuring that it is flat, level and free from excess mortar.

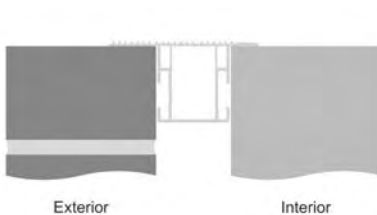


Ensure level coursework in all applications.

- 1.2. Locate the closure in the required position.



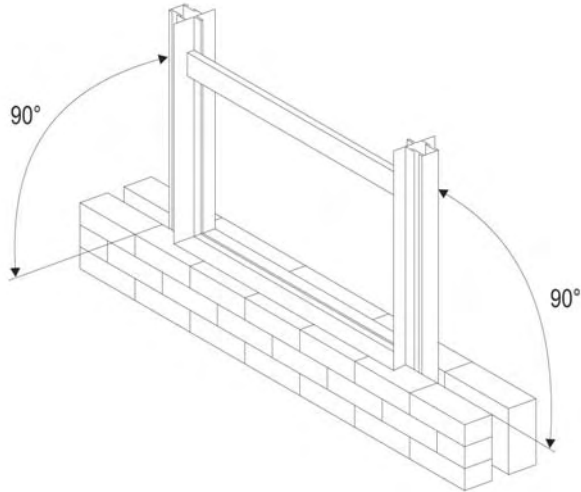
(i) Vertical Cavity Closure



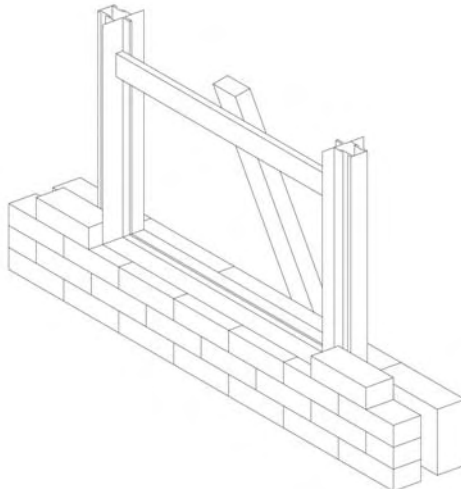
(ii) Horizontal/Base arrangement

2. Building In

Brace the former, and check that it is level and square.



Prop the former to ensure it remains plumb, and build up the coursework around the former by one course.



Window Installation Fitting Guide

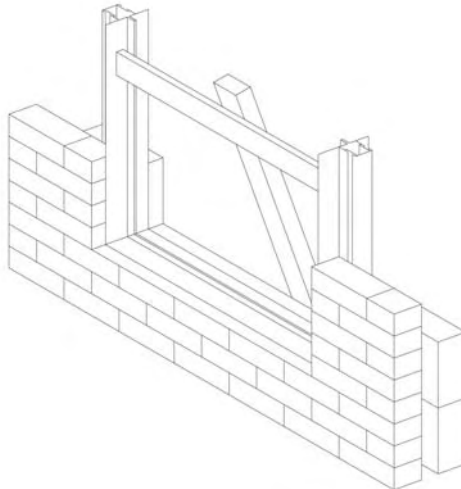
Cavity Closure System

Brick ties should be fitted on site by the bricklayer.

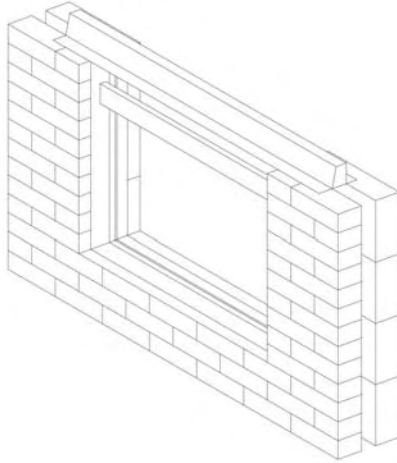
Insert a brick tie into the former, rotate by 90° and bed into mortar, on both inner and outer courses.



Continue to build the coursework up around the frame in the normal manner, ensuring that the frame remains plumb. Brick ties should be inserted every third outer course, and every other inner course. (A minimum of three per vertical).



Build the inner and outer courses up to the lintel height. Locate the lintel in position and bed into mortar. Allow mortar to set before removing the props and brace.



Throughout the building operation, the closure frame must be periodically checked to ensure that it remains true and square. Any movement or twisting in the frame could result in poor window fit. We recommend the use of a tape and spirit level to ensure that the frame is correctly installed.

Once all mortar has set, and props and braces are removed, the Cavity Closer is now ready to receive the window. The window should be fitted following the relevant fitting instructions.

If you are in any doubt as to the correct procedure please contact eJoinery on 08700 920 019.

JELD-WEN®

WINDOWS & DOORS

To register under our priority guarantee scheme, please complete and return the form below. Registered installations will be given priority by our customer care team and no call-out charge will be made in the event of service calls. Any manufacturing defects will be repaired free of charge. Installation defects will be charged for parts and labour only.

1. Builder / Installer's name and address (if applicable)

2. Owner / occupier's name

3. Installation address

4. Date of installation _____

5. Did you understand the fitting instructions? Yes / No

6. Was the product decorated before installation / assembly? Yes / No

7. Were parts clearly identifiable and correct? Yes / No

If "no" please give details:

8. Have you any comments to add?

Thank you for your assistance. We trust you are pleased with your JELD-WEN Cavity Closure System. This information is required for guarantee registration and product improvement only. It will not be passed to any third party. Your statutory rights are not affected.